

PHILIPS

Smart Meeting

DSJ-M5

360° 立体拾音

多功能视讯会议系统

### 欢迎

欢迎来到飞利浦世界！您能选择和购买飞利浦的产品，我们非常高兴。您可在我们的官方网站上获得飞利浦公司的全方位技术支持，如：使用手册、软件下载、保修信息等。

www.philips.com

本产品包含5G微功率模块（5.8GHz 7dBm小于25mW）属于微功率设备。

### 产品特点

本产品是一款功能全面的会议麦克风。采用领先的音频处理技术，实现远距离清晰拾音；内置高保真扬声器，让音效更加通透洪亮；专属多级级联技术，呈现身临其境的通话体验。适用于电话会议、视频会议等领域，产品特点如下：

- 采用环形8麦克风阵列技术，最远拾音距离可达8m。
- 采用专业音频处理技术，有效抑制环境噪音及回声影响，360° 全方向拾音。
- 内置高性能扬声器，搭配智能算法，提高声音还原度，带来优质的通话体验。
- 支持5.8GHz传输。
- 支持多级级联，满足更多工作需求。（注：专业级联线需另行购买）
- 支持免驱设计，USB即插即用。

### 安全信息

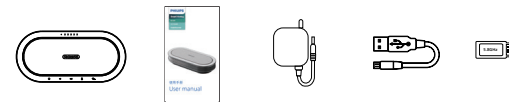
在使用和操作设备前，为确保设备性能最佳，并避免出现危险或非法情况，请遵循各项电气安全规定和适用的法律。

#### 注意

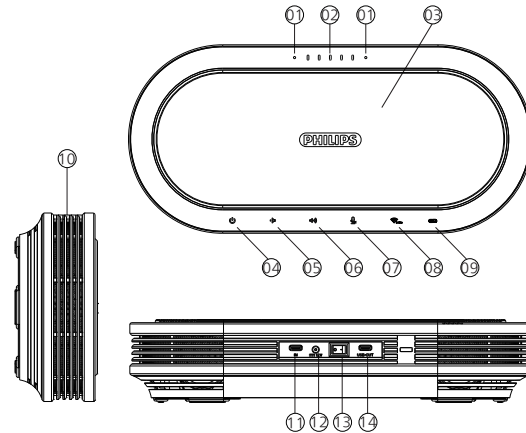
- 如果设备长时间不使用，建议关闭电源开关，把开关拨到“O”。
- 为了确保设备的使用效果，请不要遮挡麦克风，或者把设备放置在一个周围有遮挡的位置，否则将影响使用效果。
- 请使用随机配件的专用USB线将DSJ-M5连接到电脑。
- 请使用随机配件的专用充电器给DSJ-M5供电。
- 系统会自动加载驱动，加载完成后，即可正常使用DSJ-M5，如果电脑中外接设备比较多，需要在系统声音设置中，把输入设备设置成DSJ-M5,输出设备设置成DSJ-M5。
- 建议使用Windows 7及以上版本系统，较低版本系统可能需要安装USB万能驱动，同时兼容性可能会比较差，从而影响DSJ-M5的使用效果。
- 通过5.8GHz连接电脑时，如果设备接的系统比较多，需要在系统声音设置中，把输入设备设置成DSJ-M5,输出设备设置成DSJ-M5。

### 您的设备

#### 设备包含



#### 主机预览

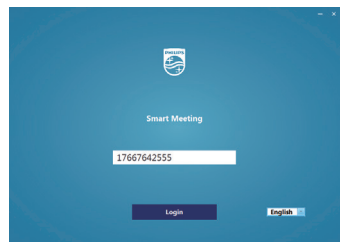


- ① 有线级联指示灯
- ② 电量指示灯
- ③ 麦克风矩阵
- ④ 电源键
- ⑤ 音量减键
- ⑥ 音量加键
- ⑦ 静音键
- ⑧ 5.8G配对键/指示灯
- ⑨ 级联键
- ⑩ 喇叭网
- ⑪ 级联输入
- ⑫ 电源接口
- ⑬ 电源开关
- ⑭ USB/级联输出

### 设置说明

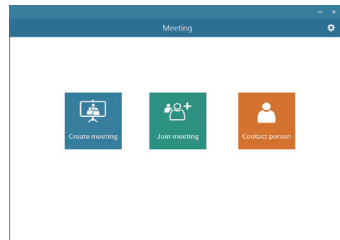
#### PC端软件

获取飞利浦PC端视讯软件请登录并下载路径：  
[download.szqps.net/SmartMeeting/SmartMeeting.exe](http://download.szqps.net/SmartMeeting/SmartMeeting.exe)



#### 登录界面

输入正确的产品序列号，点击登录即可使用此软件。



#### 主界面

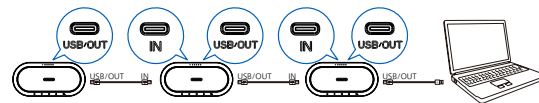
创建会议，加入会议，联系人。

#### 温馨提示

- 此产品以标贴铭牌显示型号核准代码。
- 了解更多使用操作，请访问：  
<http://www.jwd-dvr.com/service/download.html>

### 使用方法

#### 有线级联



#### 无线级联配对操作

第一次使用无线级联功能时需要先完成配对操作。之后再使用时，只需要将机器开机，机器会自动完成配对操作。

在开机状态下：

- 长按前一台机器的 （约3秒），级联键的指示灯从慢闪变成快闪，表示进入配对模式；
- 长按后一台机器的 （约3秒），5.8G配对键的指示灯从慢闪变成快闪，表示进入配对模式；
- 此时两台机器进入自动配对状态，配对成功后，级联键和5.8G配对键的指示灯，都从快闪变成常亮，表示完成配对；
- 以此类推可以完成其它机器的配对；

#### 注意

- 为了保证使用效果，建议无线级联的机器最多不超过4台机器。
- 机器插上专用级联线后，将关闭无线级联功能。

PHILIPS

保修卡

此产品是一件设计精良的高品质数码产品，在正确使用及保养下应能正确地表现其优越性能。  
自购买日期始，整机保修一年。关于主要部件保修期限，按照国家消费法规定执行。多功能视讯设备中国区总经销（深圳市京华数码科技有限公司）将按下列保用条款持卡用户提供免费保修服务。

#### 保用条例：

保用服务只限于一般正常使用下有效。一切人为损坏，例如接入不适当电源，使用不适当配件，不依说明书使用，因运输及其他意外而造成之损坏，非经本公司认可之维修和改装，用于商业及工业目的造成产品损坏、错误使用或疏忽而造成损坏，不适当之安装或因天灾造成损坏等，保用服务立刻失效。此保用服务并不包括附件，辅助装置，运输费。维修时请带上此卡及正本发票。

User's Name: 用户姓名 .....	Model No: 型号 .....
Address: 地址 .....	Serial No: 机身编号 .....
Tel.No: 电话 .....	Product Place: 产地 .....
Post Code: 邮编 .....	
Company Seal: 购买商品印章 .....	Shop name and address: 购买商名称及地址 .....
Date of Purchase: 购买日期 .....	Invoice No: 发票号 .....
	Tel No/Post Code: 电话/邮编 .....

产品服务热线：400 800 7890

© 2024 Speech Processing Solutions GmbH. All rights reserved.

This product has been manufactured by and is sold under the responsibility of Speech Processing Solutions GmbH, and Speech Processing Solutions GmbH is the warrantor in relation to this product.

Specifications are subject to change without notice. Philips and the Philips shield emblem are registered trademarks of Koninklijke Philips N.V. and are used under license. Document version 1.0, 23/02/24



使用手册

User manual

PHILIPS

Smart Meeting

DSJ-M5

360° Sound Pickup

Smart Meeting software



使用手册

User manual

### Welcome

Welcome to the world of Philips! We are delighted that you choose and buy Philips products. You can have access to full set of technical support on Philips official website, such as user manuals, software downloads, and guarantee information, etc.

www.philips.com

This product contains 5G micro-power module (5.8GHz 7dBm less than 25mW) is a micro-power device.

### Product Features

This is a fully functional conference microphone, which adopts advanced audio processing technology to realize long-distance and clear pickup; built-in high fidelity speaker makes the sound effect more transparent and loud; exclusive multi-level cascade technology to meet the work needs of various scenarios. The product features are as follows:

- High quality sound pickup for several people up to 8m distance.
- Effectively suppress the impact of environmental noise and echo, and pick up sounds in all directions via the professional audio processing technology.
- Improve the authenticity of sounds, and bring high-quality communication experience via built-in high-performance speakers and intelligent algorithm.
- Support 5.8GHz transmission.
- Support Multi-level cascade to meet the work needs.  
(Note: Professional cascade cables need to be purchased separately)
- Adopt the drive-free design with plug-and-play USB interface.

### Safety Information

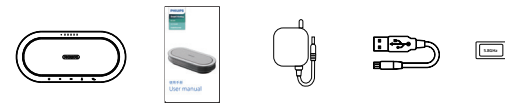
Please abide by all regulations and applicable laws on electric safety when using and operating this equipment in order to ensure the best performance of the equipment and avoid dangers or illegal situations.

#### Notice

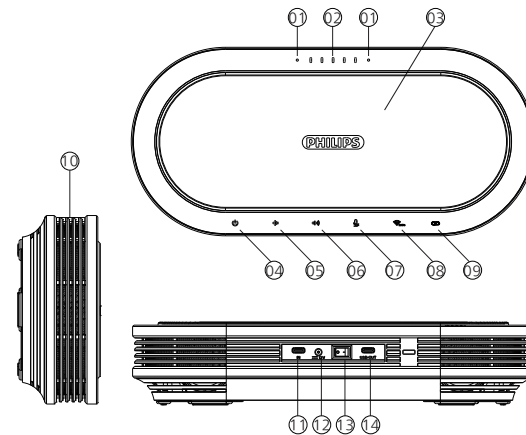
- If the device is not used for a long time, it is recommended to turn off the power switch—turn the switch to "0".
- In order to ensure the performance of the equipment, please do not block the microphone, or place the equipment in between barriers; otherwise, its performance will be affected.
- Please connect DSJ-M5 to the computer via the exclusive USB cable in the accessory package.
- Please power the DSJ-M5 with the exclusive charger in the accessory package.
- The system will automatically load the driver. After loading, you can use DSJ-M5 normally. If many external devices are connected to the computer, set the input device to DSJ-M5 and the output device to DSJ-M5 in the sound setting panel in the system.
- It is recommended to use Windows 7 operating system or later versions. Prior versions may require an universal USB driver, and the compatibility may be worse, which will affect the performance of DSJ-M5.
- If the equipment is connected to multiple systems under the connection to the computer via 5.8GHz, you need to set DSJ-M5 as the input device and DSJ-M5 as the output device in the sound setting panel in the system.

### Your Device

#### What's in the box



#### Overview

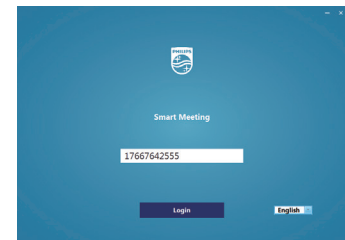


- ① Cascade indicator lamp
- ② Power indicator lamp
- ③ Microphone array
- ④ Power key
- ⑤ Volume- key
- ⑥ Volume+ key
- ⑦ Mute key
- ⑧ 5.8G matching/indicator lamp
- ⑨ Cascade key
- ⑩ Speaker net
- ⑪ Cascade input
- ⑫ Power port
- ⑬ Power switch
- ⑭ USB/Cascade output

### Settings

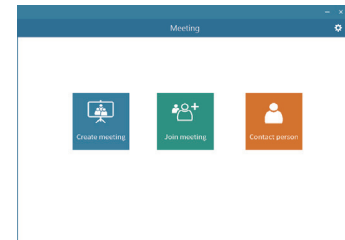
#### PC Software

- To get the Philips PC video software, please log in and download at: [download.szgps.net/SmartMeeting/SmartMeeting.exe](http://download.szgps.net/SmartMeeting/SmartMeeting.exe)



#### Login Interface

Type in the correct product serial number and click "Login" to use this software.



#### Main Interface

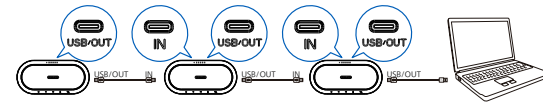
Create meeting, join meeting and contact person.

### Reminder

- This product displays the model approval code on the label nameplate.
- To know more about operations, please visit: <http://www.jwd-dvr.com/service/download.html>

### How to use

#### Wired cascade



#### Wireless cascade pairing operation

The first time you use the wireless cascade function you need to complete the pairing operation first. When you use it again, you only need to turn the machine on and it will automatically complete the pairing operation.

In the power-on state:

- Long press the previous device (about 3 seconds), the indicator light of the cascade key changes from slow flash to fast flash, indicating that it enters the pairing mode;
- Long press the latter device (about 3 seconds), the indicator light of the 5.8G pairing key changes from slow flash to fast flash, indicating that it enters the pairing mode;
- At this time, the two devices enter the automatic pairing state, after successful pairing, cascade key and 5.8G pairing key's indicator light, both from fast flashing to always on, said complete pairing;
- And so on can complete the pairing of other devices;

#### Notice

- In order to ensure the use of the effect, it is recommended that the wireless cascade of up to 4 devices.
- The device plugged into the exclusive cascade cable, will turn off the wireless cascade function.

PHILIPS

Warranty Card

This product is made of high quality material and great care has been taken in its manufacture. It is designed to give good performance provided it is properly operated and maintained. The product is sold subject to the understanding that if any defect in manufacture or material shall appear within 12 months, the warranty period is subject to country Consumer Law, Jingwah Digital Service will arrange for such defect to be rectified without change under the following warranty items and conditions.

#### Warranty Terms and Conditions:

The defect is not due to use of the product for other than domestic purposes, or an incorrect voltage, or use of improper accessories, or contrary to operating instructions, or to accidental damage (whether in transit or otherwise), misuse, neglect or inexpect repair, or incorrect installation, or the product is excessively used for improper purposes other than daily consumption, or accessories belonging to the product, transportation. Present this warranty card and sales invoice when demanding service from Philips authorized service centres.

User's Name: 用户姓名 .....	Model No: 型号 .....
Address: 地址 .....	Serial No: 机身编号 .....
Tel.No: 电话 .....	Product Place: 产地 .....
Post Code: 邮编 .....	
Company Seal: 购买商品印章 .....	Shop name and address: 购买商名称及地址 .....
Date of Purchase: 购买日期 .....	Invoice No: 发票号 .....
	Tel.No/Post Code: 电话/邮编 .....

Product Service Hotline: 400 800 7890

© 2024 Speech Processing Solutions GmbH. All rights reserved.

This product has been manufactured by and is sold under the responsibility of Speech Processing Solutions GmbH, and Speech Processing Solutions GmbH is the warrantor in relation to this product.

Specifications are subject to change without notice. Philips and the Philips shield emblem are registered trademarks of Koninklijke Philips N.V. and are used under license. Document version 1.0, 23/02/24

