



## 欢迎

欢迎来到飞利浦世界！您能选择和购买飞利浦的产品，我们非常高兴。您可在我们的官方网站上获得飞利浦公司的全方位技术支持，如：使用手册、软件下载、保修信息等。

www.philips.com/support

此产品包含：UHF 模块（工作频率：500~600MHz，带宽：18KHz，最大发射功率：32mW）和 5.8G 微功率模块（5.8GHz 7dBm 小于 25mW），属于微功率设备。

## 产品特点

本产品是一款专业的会议控制台，集录音、模式切换、鹅颈麦控制等功能于一身，具有智能U段调频、静噪设计，语音的通话传送质量更加稳定，适用于专业演讲、学校公共广播等领域，产品特点如下：

- 6英寸数字彩色显示屏，操作显示更灵活。
- 采用UHF频段，可满足不同场合需求，会议的理想选择。
- 内置防啸叫功能，抗干扰电路。
- 信号覆盖范围广，30米无线连接，信号畅通及音损损耗小。
- 支持录音，高保真度带来清晰的录音质量。
- 多功能控制面板，并能够精确控制每一台子机的输入和输出音量。

## 安全信息

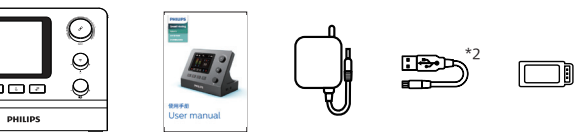
在使用和操作设备前，为确保设备性能最佳，并避免出现危险或非法情况，请遵循各项电气安全规定和适用的法律。

## 注意

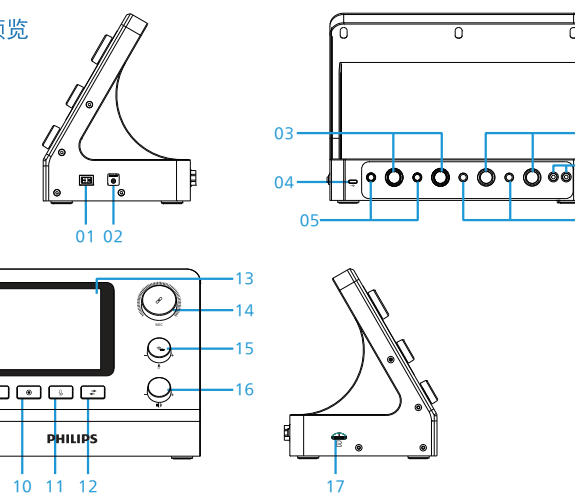
- 将机器上电源开关拨到“1”，使用配套的充电器充电即可。
- 建议使用 Windows 7 及以上版本系统，较低版本系统可能需要安装 USB 万能驱动，同时兼容性可能会比较差，从而影响使用效果。

## 您的设备

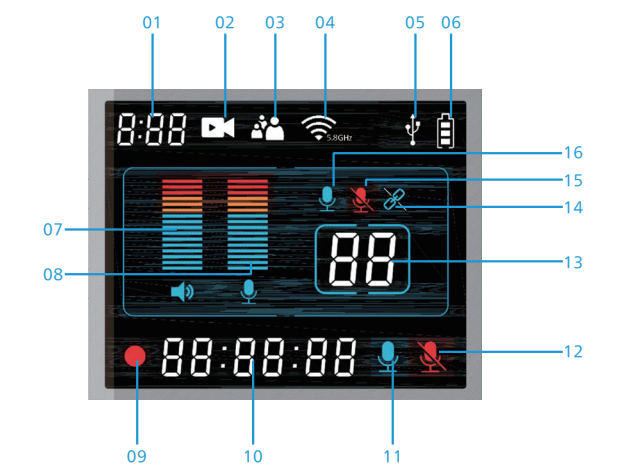
## 设备包含



## 主机预览



- |                |               |           |          |
|----------------|---------------|-----------|----------|
| 01 电源开关        | 06 Φ6.3mm音频输出 | 11 静音键    | 16 音量调节钮 |
| 02 电源接口        | 07 AV输出       | 12 模式键    | 17 TF卡槽  |
| 03 卡依口麦克风输出    | 08 卡依口音频输出    | 13 显示屏    |          |
| 04 USB接口       | 09 电源键        | 14 麦克风选择钮 |          |
| 05 Φ6.3mm麦克风输出 | 10 录音键        | 15 麦克风音量钮 |          |

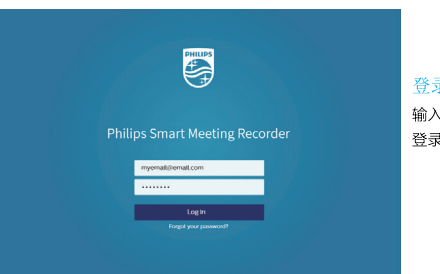


- |             |              |
|-------------|--------------|
| 01 定时发言时间   | 09 录音标志      |
| 02 远程会议     | 10 录音时间      |
| 03 本地会议     | 11 麦克风全开标志   |
| 04 5.8G连接标志 | 12 麦克风全关标志   |
| 05 USB连接标志  | 13 指定麦克风显示   |
| 06 电量指示     | 14 指定麦克风连接标志 |
| 07 音频输出音量显示 | 15 指定麦克风关标志  |
| 08 麦克风音量显示  | 16 指定麦克风开标志  |

## PC端软件

获取飞利浦PC端视讯软件请登录并下载路径：

download.szgps.net/SmartMeeting/SmartMeeting.exe



## 登录界面

输入正确的产品序列号，点击登录即可使用此软件。

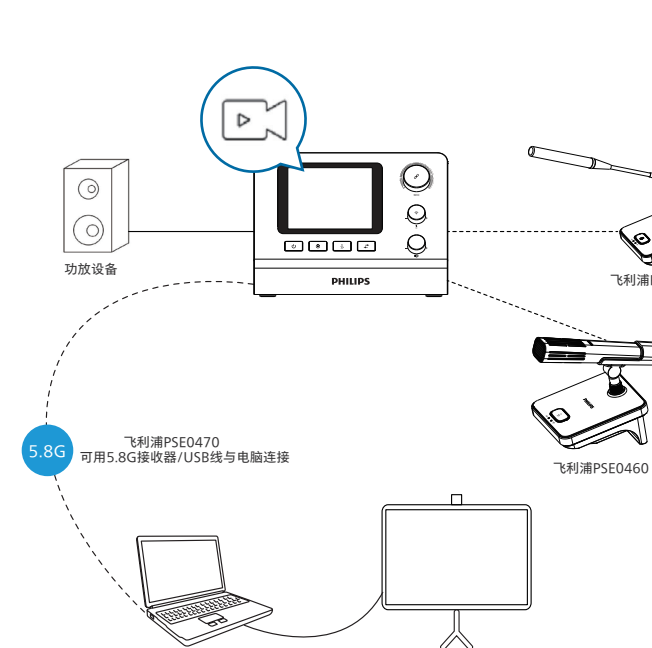


## 主界面

语音转文本，文件列表，语言翻译。

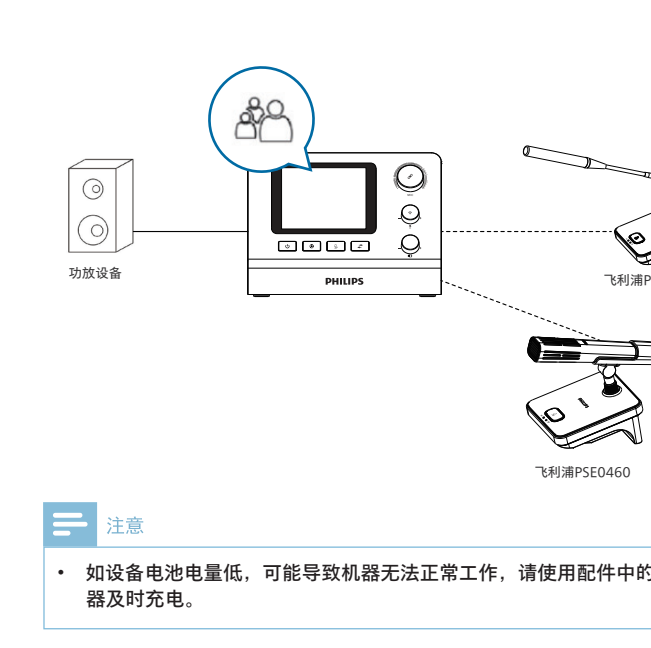
## 扩展使用

## 远程会议



5.8G  
飞利浦PSE0470  
可用5.8G接收器/USB线与电脑连接

## 本地会议



## 注意

- 如设备电池电量低，可能导致机器无法正常工作，请使用配件中的充电器及时充电。

## 温馨提示

- 了解更多使用操作，请访问：  
[www.philips.com/voicetracer](http://www.philips.com/voicetracer)

## 配对

## PSE0470与PSE0450/PSE0460配对

1. 旋转PSE0470的麦克风选择旋钮选定第1个麦克风，PSE0470显示屏上显示 ；
2. 将U段指示灯调到红色：长按PSE0450/PSE0460上的配对键可以切换麦克风序号，指示灯会改变颜色，将指示灯颜色调至红色；
3. 长按PSE0470的麦克风选择旋钮，指定麦克风连接标志 将闪烁，同时快速按两下PSE0450/PSE0460上的配对键，U段指示灯闪烁，进入配对；
4. 配对成功后，PSE0470上的指定麦克风连接标志停止闪烁，并显示连接状态标志；PSE0450/PSE0460上的U段状态指示灯变成常亮。
5. 其它麦克风配对，只需要重复1~4步骤即可；其中第2~5个麦克风，在PSE0450/PSE0460上与其对应的U段指示的颜色依次是绿、蓝、黄、粉红。

## 注意

- 设备之间只需配对一次，下次开机后会自动回连，无需再次配对。
- 当旋转麦克风选择旋钮选择到某个麦克风，如果连接状态标志显示 ，表示该麦克风为断开状态。

## PSE0470与PSE0470的5.8G接收器配对

1. 将5.8G接收器插到电脑USB口；
2. 长按PSE0470上的麦克风音量旋钮，显示屏上的5.8G连接标志快闪，表示进入对码状态；
3. 配对成功后，PSE0470显示屏上的5.8G连接标志停止闪烁。

## 注意

- 当5.8G连接标志闪烁时，表示5.8G为断开状态。

此产品是一件设计精良，有高品质原件制造之数码产品，在正确使用及保养下应能正确地表现其优越性能。  
自购买日期始，整机保修一年。关于主要部件保修期限，按照国家消费法规规定执行。多功能视讯设备中国区总经销（深圳市京华数码科技有限公司）将按下列保修条款持卡用户提供免费保修服务。

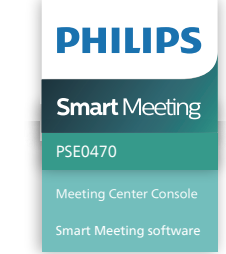
## 保用条例：

保用服务只限于一般正常使用下有效。一切人为损坏，例如接入不当电源，使用不当配件，不依说明书使用，因运输及其他意外而造成之损坏，非经本公司认可之维修和改装，用于商业及工业目的造成产品损坏，错误使用或疏忽而造成损坏，不适当之安装或因天灾造成损坏等，保用服务立刻失效。此保用服务并不包括附件，辅助装置，运输费。维修时请带上此卡及正本发票。

User's Name: 用户姓名	Model No: 型号
Address: 地址	Serial No: 机身编号
Tel.No: 电话	Product Place: 产地
Post Code: 邮编	
Company Seal: 购买商品印章	Shop name and address: 购买商名称及地址
Date of Purchase: 购买日期	Invoice No: 发票号
	Tel.No/Post Code: 电话/邮编

产品服务热线：400 800 7890





# 使用手册 User manual

## Welcome

Welcome to the world of Philips! We are Philips products. You can have access to full set of technical support on Philips official website, such as user manuals, software downloads, and warranty information, etc.  
[www.philips.com/support](http://www.philips.com/support)

## Product features

This conference console designed to be used in professional meeting environment. It is featured with the wireless extended connection of multiple devices and clear audio transmission. It is suitable for a variety of meeting set up - like online or in-person meetings - but also large public meetings with different audio requirements. The product features are as follows:

- 6-inch digital color LCD display screen.
- Various connection options to meet different meeting requirements.
- Built-in anti-interruption function design, automatic resistance to all kinds of electromagnetic signal interference.
- 30 meter wireless connection, low loss of through-wall signal and sound.
- Support recording with high fidelity for clear audio quality.
- Multifunctional control panel with accurate control of the input and output volume of microphone individually.

## Safety Information

Please abide by all regulations and applicable laws on electric safety when using and operating this equipment in order to ensure the best performance of the equipment and avoid dangers or illegal situations.

### Note

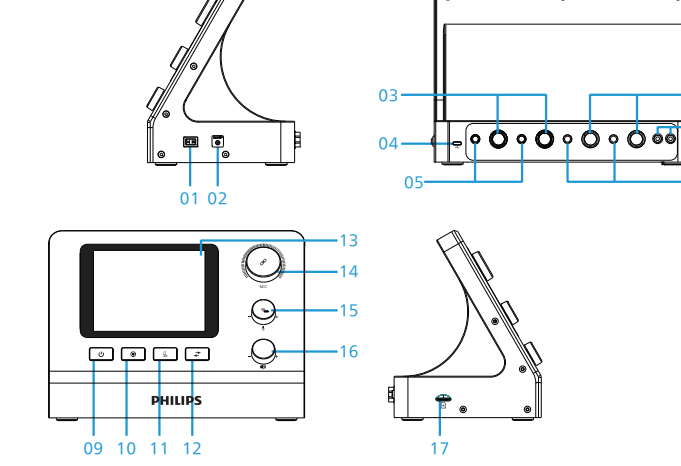
- Please turn the power switch on the device to "I" and use the exclusive charger to charge it.
- It is recommended to use Windows 7 operating system or later versions. Prior versions may require an universal USB driver, and the compatibility may be worse, which will affect the performance of the device.

## Your Device

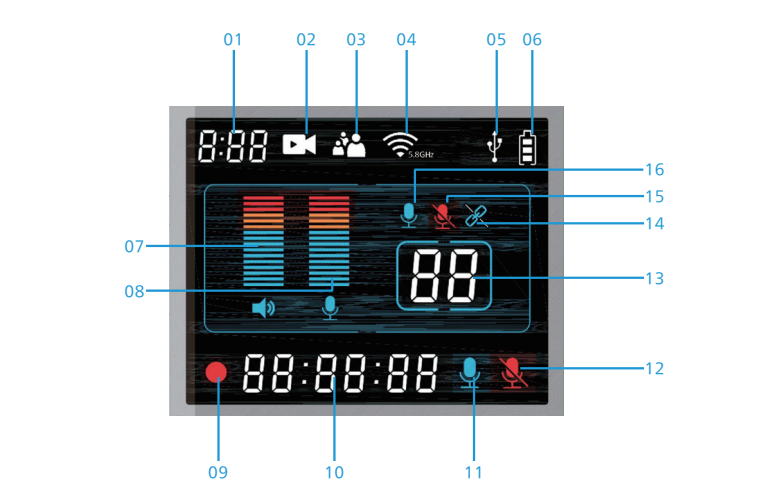
### What's in the box



### Overview



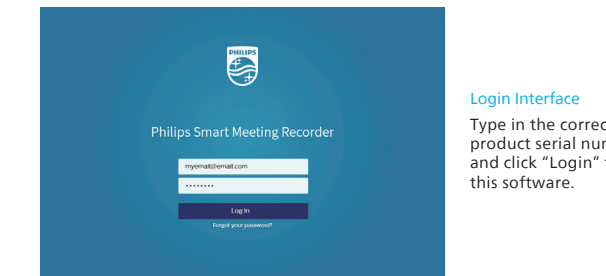
- |                      |                        |                        |                           |
|----------------------|------------------------|------------------------|---------------------------|
| 01 Power switch      | 06 Φ6.3mm audio output | 11 Mute button         | 16 Volume adjustment knob |
| 02 Power connector   | 07 AV output           | 12 Mode key            | 17 TF card slot           |
| 03 XLR Mic output    | 08 XLR audio output    | 13 Display screen      |                           |
| 04 USB interface     | 09 Power button        | 14 Microphone selector |                           |
| 05 Φ6.3mm Mic output | 10 Record button       | 15 Microphone volume   |                           |



- |                                      |                                  |
|--------------------------------------|----------------------------------|
| 01 Total speaking time               | 09 Record                        |
| 02 Online meeting                    | 10 Total recording time          |
| 03 In-person meeting                 | 11 Microphone active             |
| 04 Wireless signal                   | 12 Microphone muted              |
| 05 USB connection                    | 13 Specify microphone indication |
| 06 Power indicator                   | 14 Microphone connection active  |
| 07 Audio output level indicator      | 15 Specify microphone muted      |
| 08 Microphone output level indicator | 16 Specify microphone active     |

## PC Software

- To get the Philips PC video software, please log in and download at: [download.szgps.net/SmartMeeting/SmartMeeting\\_exe](http://download.szgps.net/SmartMeeting/SmartMeeting_exe)



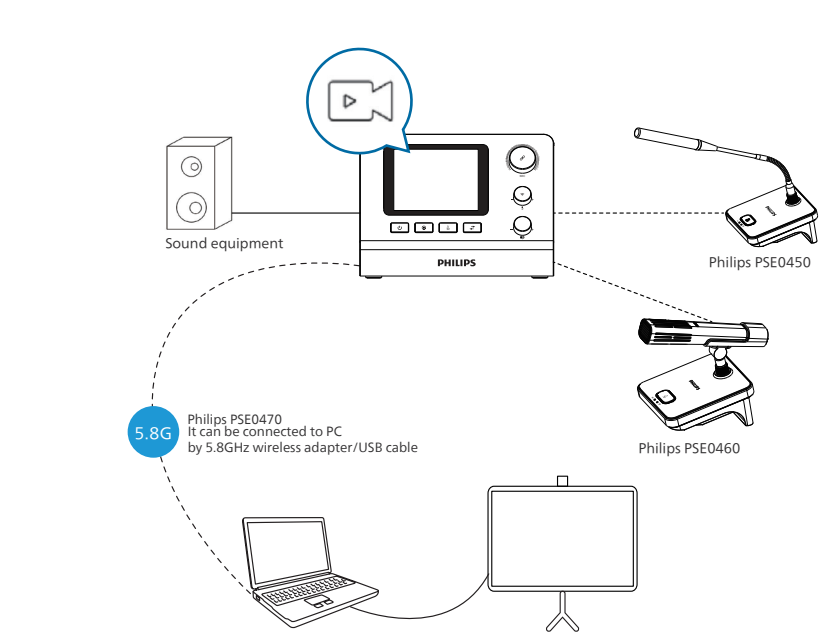
**Login Interface**  
Type in the correct product serial number and click "Login" to use this software.



**Main Interface**  
Speech to text, select document and language translation.

## Extended use

### Online meeting

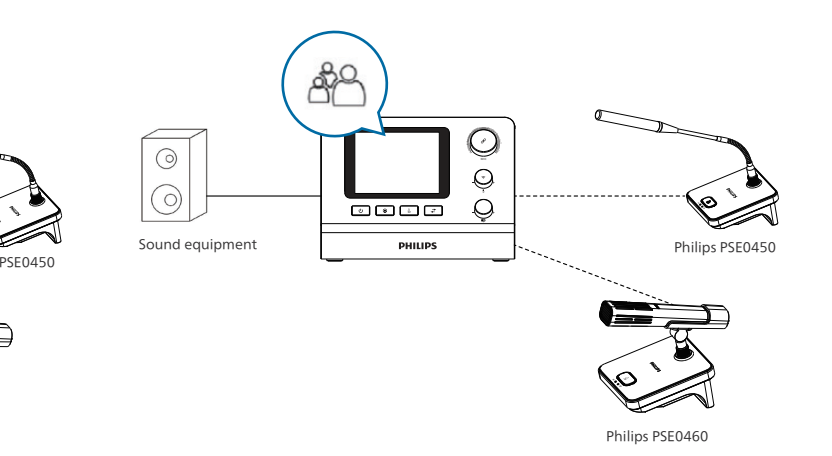


5.8G Philips PSE0470 It can be connected to PC by 5.8GHz wireless adapter/USB cable

### Reminder

- To know more about operations, please visit: [www.philips.com/voicetracer](http://www.philips.com/voicetracer)

### In-person meeting



**Note**  
• If the device battery is insufficient, it may cause the device can not work properly, please use the charger included in the accessories to charge it in time.

### Pair with devices

#### PSE0470 paired with PSE0450/PSE0460

1. Turn the microphone selection knob on the PSE0470 to select the 1st microphone, the PSE0470 display shows .
2. Turn the connection status indicator to red: long press the pairing key on the PSE0450/PSE0460 to switch the microphone number, the indicator will change color, turn the indicator colour to red.
3. Long press the microphone selector knob on the PSE0470, the specify microphone connection active icon will flash, while quickly pressing the pairing button on the PSE0450/PSE0460 twice, the connection status indicator will flash and pairing will be entered.
4. After successful pairing, the specify microphone connection active icon on the PSE0470 stops flashing and the connection status is displayed, if the connection status indicator on the PSE0450/PSE0460 will always on.
5. For the other microphones, simply repeat steps 1 to 4. For the 2nd to 5th microphone, the color of the connection status indicator on the PSE0450/PSE0460 is green, blue, yellow and pink in the following order.

### Note

- The devices only need to be paired with each other once and will automatically connect back to each other after the next power-up, without the need to pair again.
- When a microphone is selected by turning the microphone selector, if the connection status is displayed it means that the microphone is disconnected.

#### PSE0470 paired with PSE0470's 5.8G receiver

1. Plug the 5.8G receiver into the USB port of the computer;
2. Long press the microphone volume knob on the PSE0470, the 5.8G wireless connection icon on the display flashes fast, indicating a pairing status;
3. After successful pairing, the 5.8G wireless connection icon on the PSE0470 display will stop flashing.

### Note

- When the 5.8G wireless connection icon is flashing, it indicates that the 5.8G is disconnected.



This product is made of high quality material and great care has been taken in its manufacture. It is designed to give good performance provided it is properly operated and maintained. The product is sold subject to the understanding that if any defect in manufacture or material shall appear within 12 months, the warranty period is subject to country Consumer Law. Jingwah Digital Service will arrange for such defect to be rectified without change under the following warranty items and conditions.

## Warranty Terms and Conditions:

The defect is not due to use of the product for other than domestic purposes, or an incorrect voltage, or use of improper accessories, or contrary to operating instructions, or to accidental damage(whether in transit or otherwise), misuse, neglect or inexpect repair, or incorrect installation, or the product is excessively used for improper purposes other than daily consumption, or accessories belonging to the product, transportation. Present this warranty card and sales invoice when demanding service from Philips authorized service centres.

User's Name: 用户姓名 _____	Model No: 型号 _____
Address: 地址 _____	Serial No: 机身编号 _____
Tel.No: 电话 _____	Product Place: 产地 _____
Post Code: 邮编 _____	
Company Seal: 购买商品印章 _____	Shop name and address: 购买商名称及地址 _____
Date of Purchase: 购买日期 _____	Invoice No: 发票号 _____
	Tel.No/Post Code: 电话/邮编 _____

Product Service Hotline: 400 800 7890

© 2023 Speech Processing Solutions GmbH. All rights reserved.  
This product has been manufactured by and is sold under the responsibility of Speech Processing Solutions GmbH, and Speech Processing Solutions GmbH is the warrantor in relation to this product.  
Specifications are subject to change without notice. Philips and the Philips shield emblem are registered trademarks of Koninklijke Philips N.V. and are used under license.  
Document version 1.0, 29/11/23

