

PHILIPS

Smart Meeting

PSE0460

手持式麦克风

多功能视讯会议系统



使用手册

User manual

### 欢迎

欢迎来到飞利浦世界！您能选择和购买飞利浦的产品，我们非常高兴。您可以在我们的官方网站上获得飞利浦公司的全方位技术支持，如：使用手册、软件下载、保修信息等。

www.philips.com/support

此产品包含UHF模块(工作频率: 500~600MHz, 带宽: 18KHz, 最大发射功率: 32mW), 属于微功率设备。

### 产品特点

本产品是一款专业级无线话筒系统, 采用众多领先业内的高新技术设计于一体, 具有一触式发言、搭载可拆解式手持麦克风, 适用于专业演讲、会议现场、大型广播等领域, 产品特点如下:

- 采用高灵敏拾音咪芯, 拾音距离约达10-30cm。
- 手持式麦克风, 支架旋转可调角度约60度。
- 阻尼感按键开关, 搭配开关提示灯, 人性化一键启动开关。
- 采用飞利浦动态音频处理算法, 有效减少环境噪音和回声影响, 让通话更加清晰、自然。

### 安全信息

在使用和操作设备前, 为确保设备性能最佳, 并避免出现危险或非法情况, 请遵循各项电气安全规定和适用的法律。

### 注意

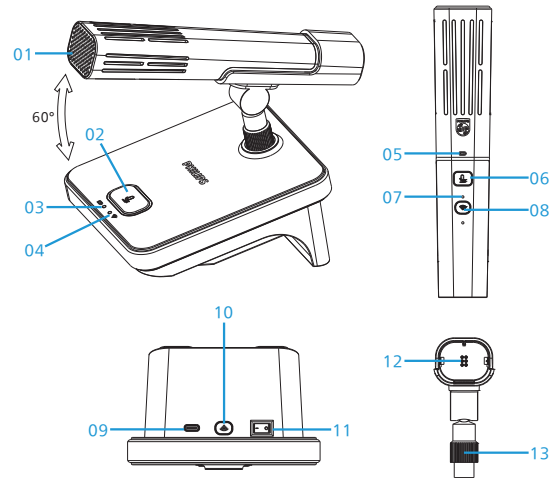
- 为了确保设备的使用效果, 请不要遮挡麦克风, 或者把设备放置在一个周围有遮挡的位置, 否则将影响使用效果。
- 请使用随机的配件专用USB线连接到电脑。
- 建议使用Windows 7及以上版本系统, 较低版本系统可能需要安装USB万能驱动, 同时兼容性可能会比较差, 从而影响使用效果。

### 您的设备

#### 设备包含



#### 主机预览

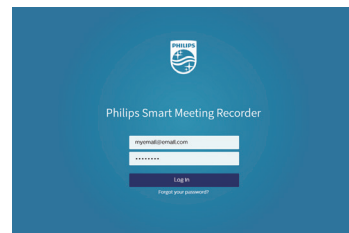


- |             |                |
|-------------|----------------|
| 01 麦克风      | 08 连接状态指示灯     |
| 02 静音键/开关机键 | 09 对码键         |
| 03 电源指示灯    | 10 复位孔         |
| 04 连接状态指示灯  | 11 USB-C接口     |
| 05 连接支架接口   | 12 对码键         |
| 06 电量指示灯    | 13 电源开关        |
| 07 静音键/开关机键 | 14 pogo pin连接器 |
|             | 15 连接支架        |

### 设置说明

#### PC端软件

获取飞利浦PC端视讯软件请登录并下载路径:  
[download.szgps.net/SmartMeeting/SmartMeeting.exe](http://download.szgps.net/SmartMeeting/SmartMeeting.exe)

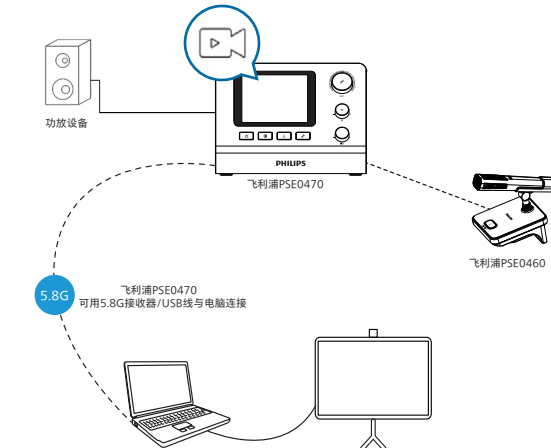


**登录界面**  
输入正确的产品序列号, 点击登录即可使用此软件。

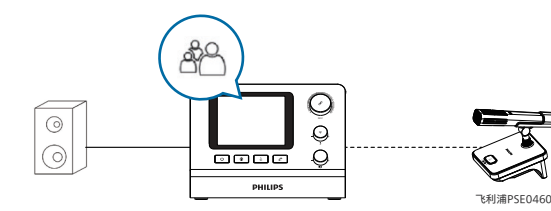


**主界面**  
语音转文本, 文件列表, 语言翻译。

#### 远程会议



#### 本地会议



#### 温馨提示

· 了解更多使用操作, 请访问:

[www.philips.com/voicetracer](http://www.philips.com/voicetracer)

PHILIPS

保修卡

此产品是一件设计精良的高品质数码产品, 在正确使用及保养下应能正确地表现其优越性能。  
自购买日期始, 整机保修一年。关于主要部件保修期限, 按照国家消费法规定执行。多功能视讯设备中国区总经销(深圳市京华数码科技有限公司)将按下列保用条款持卡用户提供免费保修服务。

#### 保用条例:

保用服务只限于一般正常使用下有效。一切人为损坏, 例如接入不适当电源, 使用不适当配件, 不依说明书使用, 因运输及其他意外而造成之损坏, 非经本公司认可之维修和改装, 用于商业及工业目的造成产品损坏, 错误使用或疏忽而造成损坏, 不适当之安装或因天灾造成损坏等, 保用服务立刻失效。此保用服务并不包括附件, 辅助装置, 运输费。维修时请带上此卡及正本发票。

User's Name: 用户姓名 .....

Address: 地址 .....

Tel.No: 电话 .....

Post Code: 邮编 .....

Model No: 型号 .....

Serial No: 机身编号 .....

Product Place: 产地 .....

Company Seal: 购买商品印章 .....

Date of Purchase: 购买日期 .....

Invoice No: 发票号 .....

Shop name and address: 购买商名称及地址 .....

Tel.No/Post Code: 电话/邮编 .....

产品服务热线: 400 800 7890

© 2023 Speech Processing Solutions GmbH. All rights reserved.

This product has been manufactured by and is sold under the responsibility of Speech Processing Solutions GmbH, and Speech Processing Solutions GmbH is the warrantor in relation to this product.

Specifications are subject to change without notice. Philips and the Philips shield emblem are registered trademarks of Koninklijke Philips N.V. and are used under license. Document version 1.0, 29/11/23





使用手册

User manual

Welcome

Welcome to the world of Philips! We are Philips products. You can have access to full set of technical support on Philips official website, such as user manuals, software downloads, and warranty information, etc.

www.philips.com/support

This product contains UHF module (operating frequency: 500–600MHz, bandwidth: 18KHz, maximum transmission power: 32mW) is a micro-power device.

Product Features

This wireless microphone designed to be used in professional meeting environment. It is featured with the detachable handheld design and smart noise reduction. It is suitable for every meeting setup due to desktop and handheld positioning. The product features are as follows:

- Optimize the pickup distance up to 30cm via high sensitivity microphone.
- Handheld microphone with adjustable angle positioning up to 60 degrees.
- Tactile key with indicator light, user can one-touch start switch for speech.
- Effectively suppress the impact of environmental noise and echo, and pick up sounds via the professional audio processing technology.

Safety Information

Please abide by all regulations and applicable laws on electric safety when using and operating this equipment in order to ensure the best performance of the equipment and avoid dangers or illegal situations.

Notice

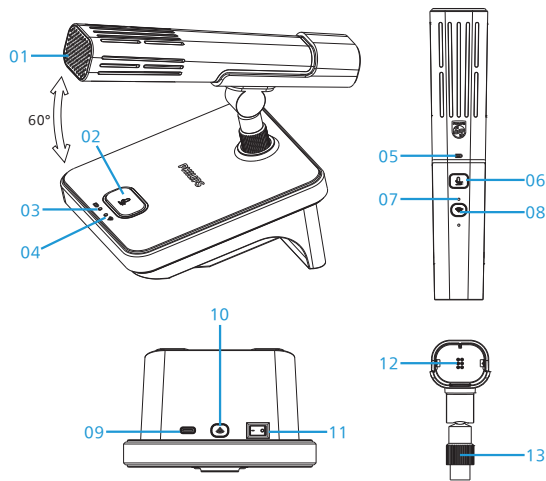
- In order to ensure the performance of the device, please do not block the microphone, or place the equipment in between barriers; otherwise, its performance will be affected.
- Please connect the device to the computer via the exclusive USB cable in the accessory package.
- It is recommended to use Windows 7 operating system or later versions. Prior versions may require a universal USB driver, and the compatibility may be worse, which will affect the performance of the device.

Your Device

What's in the box



Overview

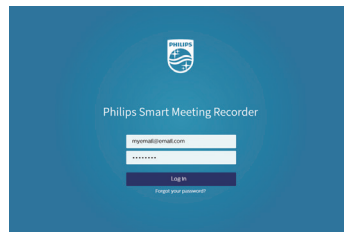


- |                                |                         |
|--------------------------------|-------------------------|
| 01 Microphone                  | 08 Code matching button |
| 02 Mute button / On/Off button | 09 USB-C port           |
| 03 Power indicator             | 10 Code button          |
| 04 Connection status indicator | 11 Power switch         |
| 05 Power indicator             | 12 Microphone connector |
| 06 Mute/switch button          | 13 Connection bracket   |
| 07 Connection status indicator |                         |

Settings

PC Software

- To get the Philips PC video software, please log in and download at: [download.szgps.net/SmartMeeting/SmartMeeting.exe](http://download.szgps.net/SmartMeeting/SmartMeeting.exe)



Login Interface

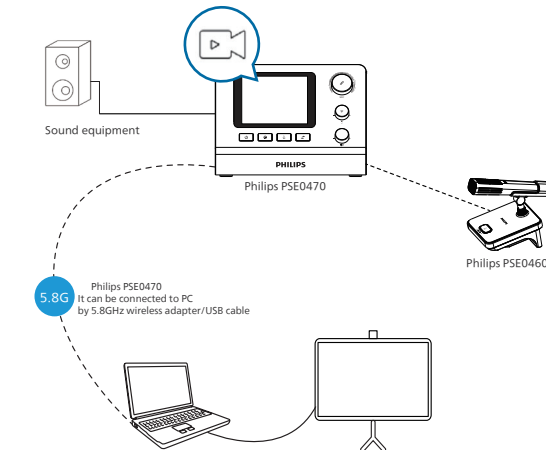
Type in the correct product serial number and click "Log in" to use this software.



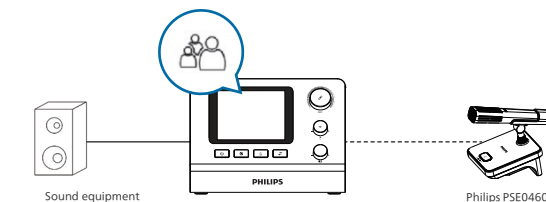
Main Interface

Speech to text, select document and language translation.

Online Meeting



In person meeting



Reminder

- To know more about operations, please visit: [www.philips.com/voicetracer](http://www.philips.com/voicetracer)

This product is made of high quality material and great care has been taken in its manufacture. It is designed to give good performance provided it is properly operated and maintained. The product is sold subject to the understanding that if any defect in manufacture or material shall appear within 12 months, the warranty period is subject to country Consumer Law, Jingwah Digital Service will arrange for such defect to be rectified without change under the following warranty items and conditions.

Warranty Terms and Conditions:

The defect is not due to use of the product for other than domestic purposes, or an incorrect voltage, or use of improper accessories, or contrary to operating instructions, or to accidental damage(whether in transit or otherwise), misuse, neglect or inexpect repair, or incorrect installation, or the product is excessively used for improper purposes other than daily consumption, or accessories belonging to the product, transportation. Present this warranty card and sales invoice when demanding service from Philips authorized service centres.

User's Name:

用户姓名 .....

Address:

地址 .....

Tel.No:

电话 .....

Post Code:

邮编 .....

Company Seal:

购买商品印章 .....

Date of Purchase:

购买日期 .....

Invoice No:

发票号 .....

Model No:

型号 .....

Serial No:

机身编号 .....

Product Place:

产地 .....

Shop name and address:

购买商名称及地址 .....

Tel.No/Post Code:

电话/邮编 .....

Product Service Hotline: 400 800 7890

© 2023 Speech Processing Solutions GmbH. All rights reserved.

This product has been manufactured by and is sold under the responsibility of Speech Processing Solutions GmbH, and Speech Processing Solutions GmbH is the warrantor in relation to this product.

Specifications are subject to change without notice. Philips and the Philips shield emblem are registered trademarks of Koninklijke Philips N.V. and are used under license. Document version 1.0, 29/11/23

