



欢迎

欢迎来到飞利浦世界！您能选择和购买飞利浦的产品，我们非常高兴。您可以在我们的官方网站上获得飞利浦公司的全方位技术支持，如：使用手册、软件下载、保修信息等。

www.philips.com

产品特点

本产品是一款功能便捷的数码录音笔。采用飞利浦音频处理技术，适用于教学、采访、会议等录音场景，产品特点如下：

- 一键录音。
- APP智能同步翻译。
- 多种录音场景选择。
- 边充电边录音。
- 小巧便携式录音笔。
- 支持蓝牙功能，实现无线自由连接。

安全信息

1. 不支持高压和变压充电器充电，请使用5V/500mA或5V/1000mA的充电器充电。
2. 为了避免短路，切勿将产品放置在触水受潮处。
3. 不要将产品放在加热设备附近或阳光直射的地方。
4. 请注意，切勿挤压电缆，特别是插头处。

注意

- 特别声明：使用本产品前请仔细阅读本说明书，如因人为操作或不可抗力因素而导致数据丢失，本公司一概不予负责。特别提醒用户小心操作，注意将资料另外备份。
- 显示图像仅作参考。飞利浦保留更改颜色/外观/设计/参数/产品功能的权利，硬件、软件、APP如有更新，恕不另行通知。

使用须知

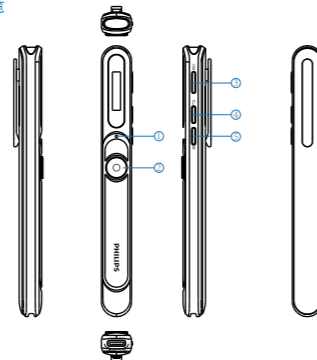
- 第一次使用前建议使用合规充电器先对机器充电3小时左右。

您的设备

设备包含



主机预览



- ⑪ 指示灯
- ⑫ 电源键/旋钮键/确认键/播放键/暂停键
- ⑬ 录音键
- ⑭ 返回/停止
- ⑮ 菜单键

使用说明

开/关机

在关机状态下长按电源键约2~3秒机器开机；开机状态下长按2~3秒机器关机。

录音

1. 在关机状态下，长按录音键2~3秒，机器开机并进去录音，录音状态下，短按录音键，录音暂停，再短按一下取消暂停继续录音，长按录音键约3秒保存录音。
2. 在开机待机状态下，长按录音键约3秒进去录音，在录音状态下，再长按录音键约3秒保存录音。

录音场景选择

播放停止界面，按菜单键进入录音场景界面，短按旋钮键进入场景选择，在此界面可旋转旋钮切换不同的场景，选中后再短按旋钮键确认并退出当前界面。

播放

在播放停止界面，短按播放键播放，播放状态下，短按播放键暂停播放，按返回键停止播放。

音量调节

在播放状态下 / 播放暂停时，旋转旋钮键调节音量大小。

切换上下曲

在播放停止状态下，旋转旋钮键切换上下曲。

设置菜单

播放停止界面，按菜单键进入主菜单界面，当前界面显示“录音场景”旋转旋钮键可切换至“音乐文件”、“固件版本”、“出厂设置”、“删除文件”等，

旋转至需要设置的菜单时，短按旋钮键确认就会进入相应的界面，需要退出时，短按返回键返回上级菜单。

删除文件

播放停止界面，按菜单键进入主菜单界面，旋转旋钮键找到“删除文件”或“删除全部”，按旋钮键确认后弹出选择“是”再按确认即删除文件，选择否，按旋钮键确认会退出菜单界面。

状态指示

- ①录音状态：红灯常亮；暂停，红灯闪烁；
- ②播放：绿灯常亮；暂停，绿灯闪烁；
- ③充电状态：充电时灯亮，充满灯灭。

播放停止界面，长按返回键3秒会进入查看电量和蓝牙连接状态界面，蓝牙未连接时蓝牙图标闪烁，蓝牙已连接时一直显示蓝牙图标。

连接电脑

录音笔可作为存储设备，可使用USB数据线将录音笔与电脑相连对文件进行存储、备份和移动。

技术参数

- 内置存储器类型：EMMCP
- 尺寸和重量
宽 × 高 × 深：126*14*10.5(mm)
- 重量（含电池）：约24g
- 系统要求
操作系统：Windows 7/8/10, Mac OS X
- 运行条件
温度：0° C – 50° C
空气湿度：10% – 90%，不凝结

APP操作指南

1. 安装下载APP。



安卓 / 苹果手机均可扫描此二维码，安装下载APP，安装过程中弹出的权限，请点击“始终允许”项，否则不能使用，请知悉。

2. 录音笔和APP连接上后，可通过APP操作录音笔录音、实时翻译、同步等。

- 在APP实时翻译主菜单界面，打开按钮，APP会进去录音并识别文字和翻译，同时录音笔也会进去录音。APP录音界面，可操作右下角的“翻译助手”设置识别语言和翻译语言。

- 在APP主界面，选择“文件”会切换到文件列表界面。

同步设备：选择同步设备会显示文件列表，点击“同步更新”可刷新同步录音笔的文件，注意，APP操作录音的文件不会重复同步到手机，同步只能同步录音笔单独录音的文件。

文件播放界面可编辑、分享、角色区分等操作。

- 同步文件操作

- (1) 在APP界面，选择同步设备选项进去列表界面，点击选择需要的文件同步，同步成功后会提示下载完成。
 - (2) 文件上传成功后，点文件进去可转写。
 - (3) 转写后的文件可进行播放、编辑、分享、保存等。
 - (4) 在同步设备列表界面，选择“删除”后，会弹出“删除手机文件”或“删除录音笔文件”，当选择“删除手机文件”时，则删除手机上已转写的内容，选择“删除录音笔文件”时，则删除录音笔上的文件，删除选项请慎重，注意把重要文件备份好，不要误删。
- 选择“全选”删除时可选择“全选”或“全不选”。

此产品是一件设计精良的高品质数码产品，在正确使用及保养下应能正确地表现其优越性能。
自购买日期始，整机保修一年。关于主要部件保修期限，按照国家消费法规定执行。数码录音笔的中国区总经销（深圳市京华数码科技有限公司）将按下列保用条款持卡用户提供免费维修服务。

保用条例：

保用服务只限于一般正常使用下有效。一切人为损坏，例如接入不当电源，使用不当配件，不依说明书使用，因运输及其他意外而造成之损坏，非经本公司认可之维修和改装，用于商业及工业目的造成产品损坏，错误使用或疏忽而造成损坏，不适当之安装或因天灾造成损坏等，保用服务立刻失效。此保用服务并不包括附件，辅助装置，运输费。维修时请带上此卡及正本发票。

User's Name:	Model No:
用户名	型号
Address:	Serial No:
地址	机身编号
Tel.No:	Product Place:
电话	产地
Post Code:	
邮编	
Company Seal:	Shop name and address:
购买商品印章	购买商名称及地址
Date of Purchase: Invoice No:	Tel.No./Post Code:
购买日期	发票号
	电话/邮编

产品服务热线：400 800 7890

© 2023 Speech Processing Solutions GmbH. All rights reserved.

This product has been manufactured by and is sold under the responsibility of Speech Processing Solutions GmbH, and Speech Processing Solutions GmbH is the warrantor in relation to this product.

Specifications are subject to change without notice. Philips and the Philips shield emblem are registered trademarks of Koninklijke Philips N.V. and are used under license.

Document version 1.0, 17/10/23



Welcome

Welcome to the world of Philips! We are Philips products. You can have access to full set of technical support on Philips official website, such as user manuals, software downloads, and warranty information, etc.

www.philips.com/support

Product Features

This product is a convenient digital recorder, which adopts Philips audio processing technology and is suitable for teaching, interviews, meetings and other recording scenes. The product features are as follows:

- Instant recording.
- Intelligent simultaneous translation by the app
- Multiple recording scenes options.
- Recording while charging.
- Compact and portable audio recorder.
- Realize wireless connection via Bluetooth .

Safety Information

1. Charging with high-voltage and variable-voltage chargers is not supported. Please use a 5V/500mA or 5V/1000mA charger for charging.
2. Do not expose this device to water and moisture to avoid short circuit.
3. Do not expose this device to any heating device or direct sunlight.
4. Be careful not to pinch the cable, especially at the plug.

Notice

- Special Announcement: Before using the product, please read the Manual carefully. The Company shall not be held liable for any data loss due to incorrect manual operation or force majeure. We specially recommend that users make additional copies of the files in the device.
- Images are for reference only. Philips reserves the right to change the color/appearance/design/parameters/product functions without prior notice.

Safety Information

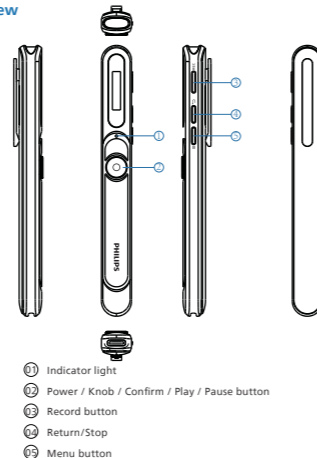
- It is advised to charge the device for about 3 hours with a conforming charger before the first use.

Your Voice Recorder

What's in the box



Overview



- ① Indicator light
- ② Power / Knob / Confirm / Play / Pause button
- ③ Record button
- ④ Return/Stop
- ⑤ Menu button

Instructions for use

Power On / Off

Press and hold the Power button for 2-3s in the power off state to switch on the device. Press and hold the Power button for 2-3s in the switch-on state to shut down the device.

Recording

1. In the power-off mode, press and hold the Record button for 2-3 seconds to switch on the device and enter the recording mode. In the recording mode, press the Record button to pause recording, and press it again to resume recording. Press and hold the Record button for about 3 seconds to save the record.

2. In the power-on / standby mode, press and hold the Record button for about 3 seconds to enter the recording mode. In recording mode, press and hold the Record button again for about 3 seconds to save the record.

Recording Scene Selection

In the play / stop screen, press the Menu button to enter the recording scenario screen. Press the Knob button to enter the scenario selection screen, where you can turn the Knob button to switch between different scenarios. After selection, press the Knob button for confirmation and exit from the current screen.

Play

In the play / stop screen, press the Play button for playing. In the play mode, press the Play button to pause playing, and press the Return button to stop playing.

Volume Adjustment

In the play / pause mode, turn the Knob button to adjust the volume.

Previous / Next Track Switching

In the stop mode, turn the Knob button to switch between the previous and next tracks.

Setup Menu

In the play / stop screen, press the Menu button to enter the main menu screen. When the current screen displays "Recording Scenarios", turn the Knob button to

switch to "Music Files", "Firmware Version", "Factory Settings", "Delete File", etc. When it is turned to the menu to be set, press the Knob button for confirmation to enter the corresponding screen. To exit, press the Return button to return to the previous menu.

Delete Files

In the play / stop screen, press the Menu button to enter the main menu screen, and turn the Knob button to find "Delete Files" or "Delete All". After pressing the Knob button for confirmation, select "Yes" in the pop-up box and then press the Enter button to delete the file, or select "No" to exit from the menu screen.

Mode Indication

- ① Recording mode: The red indicator will remain illuminated during recording, or flash when recording is paused;
- ② Play mode: The green indicator will remain illuminated during playing, or flash when playing is paused;
- ③ Charging state: The charging indicator will be illuminated during charging and go out when the device is fully charged.

In the play / stop screen, press and hold the Return button for 3 seconds to enter the battery level and Bluetooth connection status viewing screen. The Bluetooth icon will flash if Bluetooth is not connected, or remain displayed if Bluetooth is connected.

PC Connection

The recorder can be used as storage equipment. You can use the USB data cable to connect it to your computer for storing, backing up, and transferring documents.

Technical Parameters

- Built-in memory type: EMMCP
- Dimensions and Weight: Width x height x length: 126*14*10.5(mm)
- Weight (Including battery): About 24g
- Operating system: Windows 7/8/10, Mac OS X
- Operating conditions: Temperature: 0°-50°C
- Air humidity: 10%-90%, non-condensing

APP Operation Guide

1. App Download and Setup.



You can use Android or Apple mobile phones to scan this QR code to download and set up the app. For all authority checking pop-ups during setup, please click "Always Allow"; otherwise, the app will be unusable. Please keep this in mind.

2. After the installation and download are successful, APP supports recording, real-time translation, playback, etc.

- In the APP, select the recording scene in the Real-time translation interface, and then the APP will record, recognize word and translations, so as the Recorder. In the APP recording interface, you can operate the "Translation aide" in the lower right to set the Recognition language and Translation language.
- In the APP interface, select the option "File" will switch to the file list interface.

Sync device: Select "Device Sync" to access the file list, and click on "Sync Update" to refresh and synchronize the file of the audio recorder. Note that any file recorded by the app will not be synchronized to the mobile phone repeatedly, and only files recorded by the audio recorder separately can be synchronized.

The files in the playback interface can be edited, shared, and role distinguished, etc.

This product is a well-designed, high-quality digital device, and should show its superior performance on the basis of proper use and maintenance.

The warranty for complete equipment is one year from the date of purchase. The warranty period of the main components shall be subject to the provisions of the national laws and regulations concerning consumers.

The general distributor (Shenzhen Jingwah Digital Technology Co., Ltd.) of Philips tablets in China will provide free warranty service to card-holding users according to the following warranty terms.

Warranty Terms:

The warranty service is valid only under normal use conditions. All artificial damages, such as improper power supply, inappropriate accessories, failure to follow the instructions, damage caused by transportation and other accidents, repairs and modifications beyond our approval, product damage for commercial and industrial purposes, damage arising from misuse or negligence, and damage due to improper installation or natural disasters, etc., will immediately invalidate the warranty service. This warranty service does not cover accessories, auxiliary devices, and transportation fees. Please bring this warranty card and the original invoice when repaired.

User's Name: 用户姓名	Model No: 型号
Address: 地址	Serial No: 机身编号
Tel.No: 电话	Product Place: 产地
Post Code: 邮编	
Company Seal: 购买商品印章	Shop name and address: 购买商名称及地址
Date of Purchase: 购买日期	Invoice No: 发票号
	Tel.No/Post Code: 电话/邮编

Product Service Hotline: 400 800 7890

© 2023 Speech Processing Solutions GmbH. All rights reserved.

This product has been manufactured by and is sold under the responsibility of Speech Processing Solutions GmbH, and Speech Processing Solutions GmbH is the warrantor in relation to this product.

Specifications are subject to change without notice. Philips and the Philips shield emblem are registered trademarks of Koninklijke Philips N.V. and are used under license.

Document version 1.0, 17/10/23

